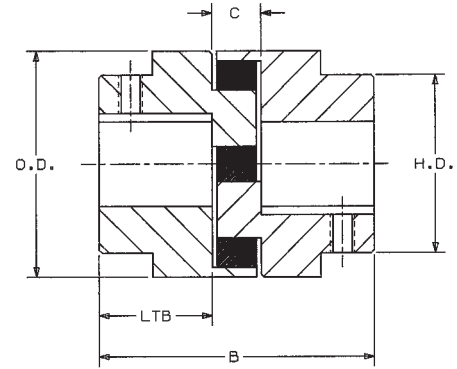


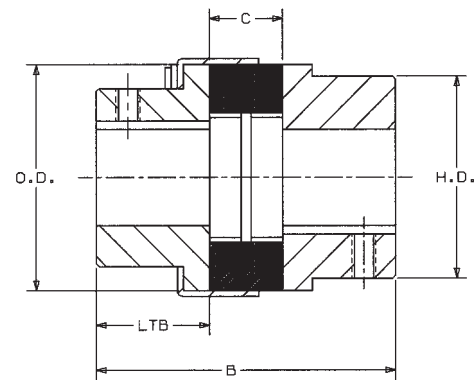
## L-JAW DIMENSIONS

Coupling Size	Hub Mat'l	DIMENSIONS					Weight Lbs*
		OD	HD	LTB	B	C	
L035	S.I.	0.63	0.63	0.27	0.81	0.28	0.10
L050	S.I.	1.08	1.08	0.63	1.72	0.47	0.30
L070	S.I.	1.36	1.36	0.75	2.00	0.50	0.60
L075	S.I.	1.75	1.75	0.81	2.13	0.50	1.00
L090	S.I.	2.11	2.11	0.81	2.13	0.50	1.50
L095	S.I.	2.11	2.11	1.00	2.50	0.50	1.80
L099	S.I.	2.53	2.53	1.06	2.88	0.75	2.50
L100	S.I.	2.53	2.53	1.38	3.50	0.75	3.50
L110	S.I.	3.33	3.33	1.69	4.23	0.85	6.60
L150	S.I.	3.75	3.75	1.75	4.50	1.00	9.10
L190	C.I.	4.50	4.00	1.94	4.88	1.00	17.00
L225	C.I.	5.00	4.25	2.19	5.38	1.00	23.00
L276	C.I.	6.19	5.00	3.13	7.88	1.63	47.00



## C-JAW DIMENSIONS

Coupling Size	Hub Mat'l	DIMENSIONS					Weight Lbs*
		OD	HD	LTB	B	C	
C226	C.I.	5.15	4.12	2.75	7.00	1.50	29.00
C276	C.I.	6.18	5.00	3.12	7.87	1.63	47.00
C280	C.I.	7.50	5.50	3.12	7.87	1.63	61.00
C285	C.I.	8.50	6.50	3.75	9.13	1.63	87.00
C295	C.I.	9.12	6.31	3.75	9.38	1.88	97.00
C2955	C.I.	9.12	7.12	4.25	10.38	1.88	117.00



S.I. = Powdered metal • C.I. = Cast Iron

\*Weight of coupling assembly with minimum bores.

NOTE: L-JAW Hubs also available in aluminum – contact factory.